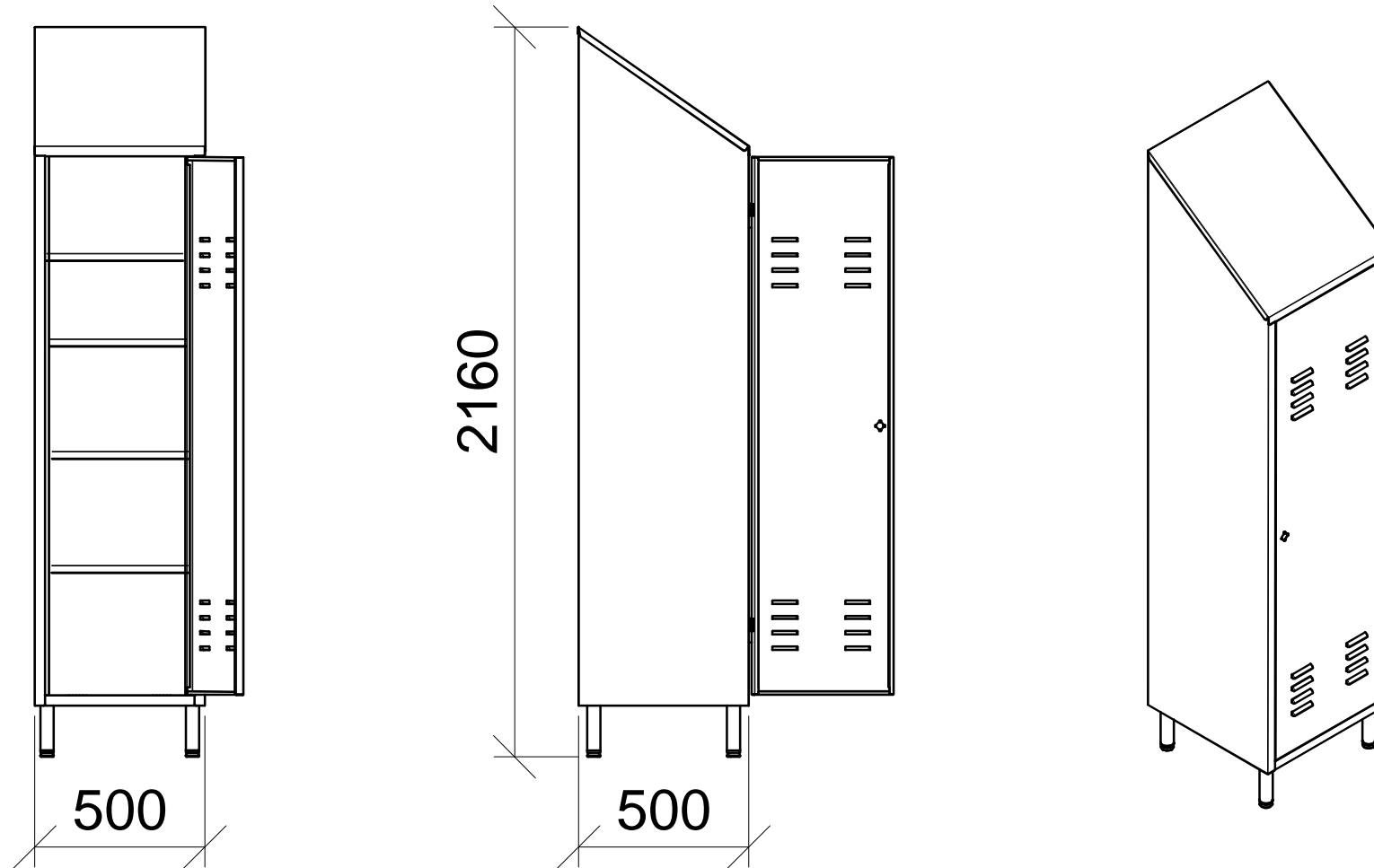


Stainless steel storage cupboard with 1 door

Dimensions in mm



CHARACTERISTICS: 21 gauge

- 0,8 mm thick stainless steel;
- 2J finish (Scotch-Brite®);
- Dustproof slanting top;
- Cylindrical key lock with handle;
- 4 adjustable shelves;
- Adjustable screw on feet.

Code: X2004

FACILITAS

Via Lazio 7 A/B/C - 41050 Montale Rangone (MO)
Web: www.facilitas.it @: facilitas@facilitas.it
Tel: +39 (0)59-530570 Fax: +39 (0)59-4909000